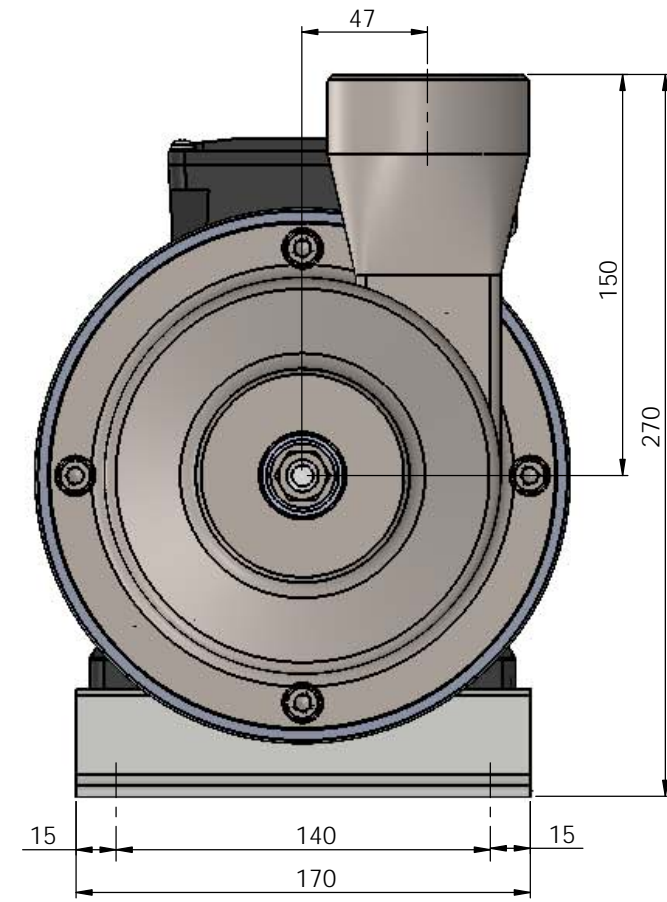
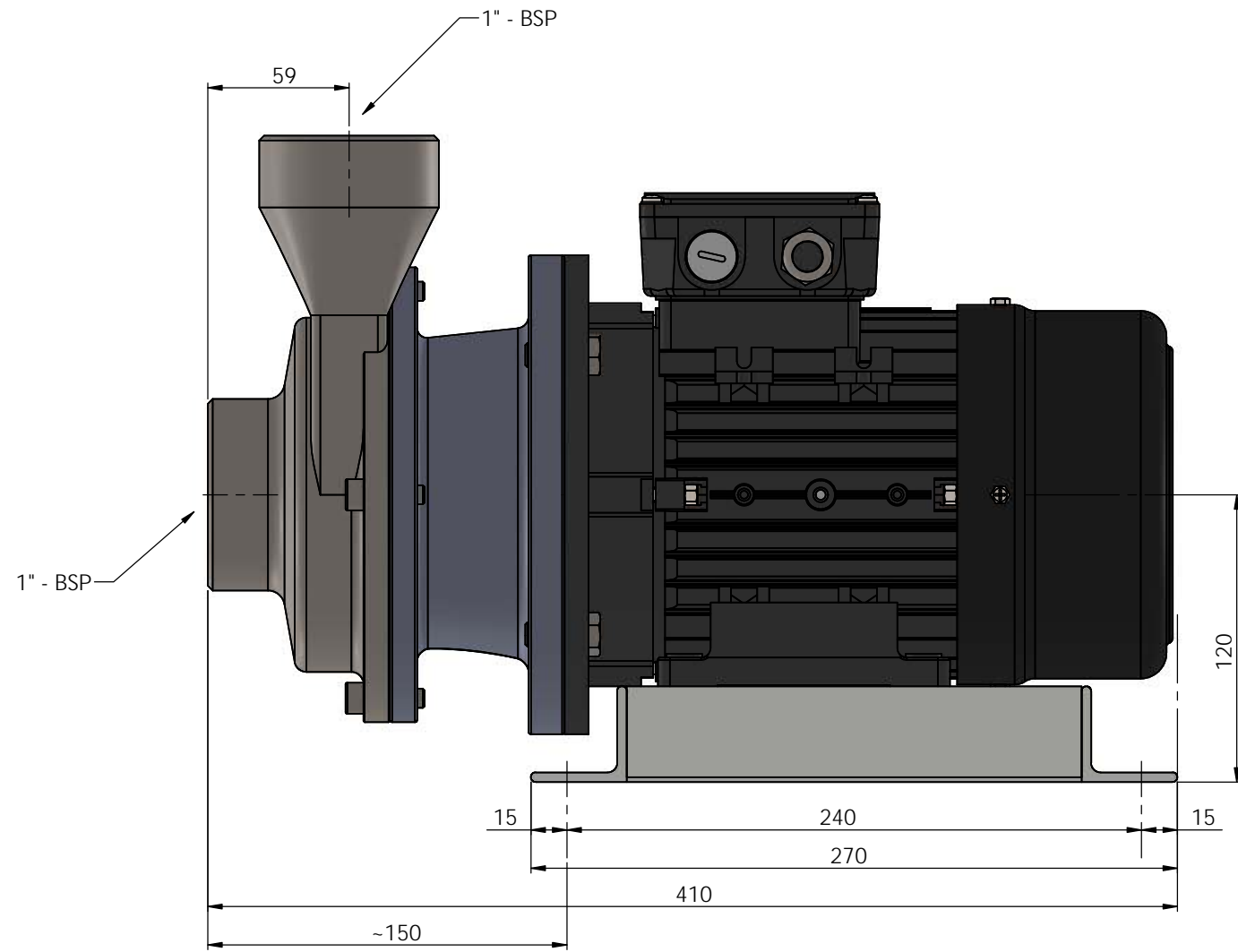


"This drawing is the property of Mapex AS and may not without the owners consent be utilized, copied, reproduced, transmitted or communicated to a third party."

REVISIONS				
REV.	DATE	DESCRIPTION	DRAWN BY	APPROVED
A	25.03.2017	For production	AKH	Rolf årvik

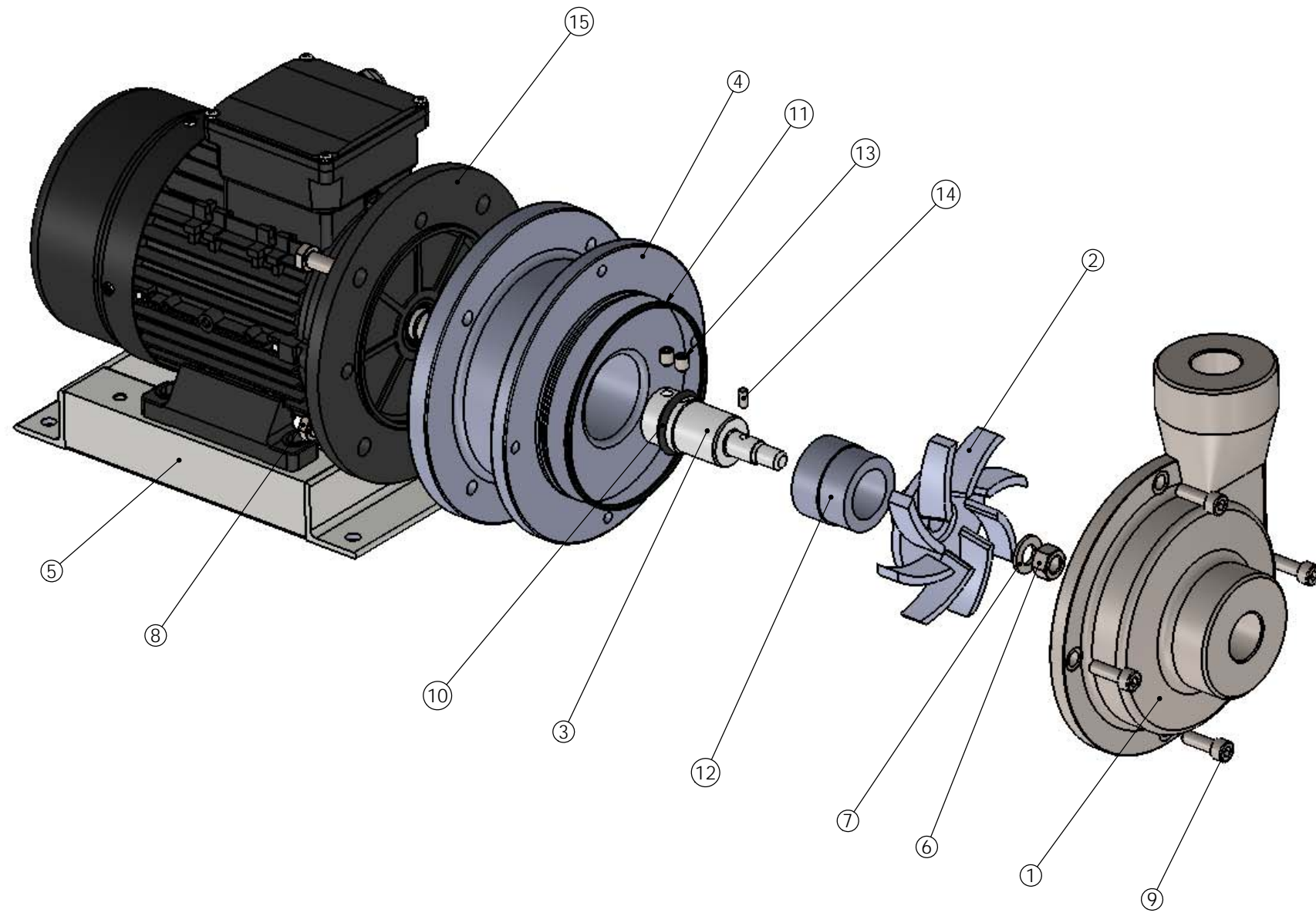


Assembly & interface

Scale: 1:2					
Format: A2					
Product: Mapex SMP101 Centrifugal Pump Assembly			File no.: Mapex-10056-A SMP101 Centrifugal Pump	Rev: A	
			Drawing no.: Mapex-10056		
Material: AISI 316	Number:	Page: 1/2	Article no.:	Veight:	Quality:

"This drawing is the property of Mapex AS and may not without the owners consent be utilized, copied, reproduced, transmitted or communicated to a third party."

REVISIONS				
REV.	DATE	DESCRIPTION	DRAWN BY	APPROVED
A	25.03.2017	For production	AKH	Rolf Arvik



Exploded view & component list

ITEM NO.	QTY.	PART NUMBER	DESCRIPTION
1	1	Mapex-10057-A Pump House SMP101	AISI 316
2	1	Mapex-10053-A Impeller SMP101_102_103	AISI 316
3	1	Mapex-10058-A Pump Shaft SMP101	AISI 316
4	1	Mapex-10049-A Intermediate Adapter SMP101_102_103_104	AISI 316
5	1	Mapex-10050-A Frame Mount for Electromotor SMP101_102_103_104	AISI 316
6	1	Lock-nut DIN985 M12 A4	A4
7	1	Washer DIN125 M12 A4	A4
8	4	Bolt DIN933 M10x25 A4	A4
9	4	Bolt DIN912 M8x25 A4	A4
10	1	VS 32 ring, splash guard	Rubber
11	1	O-ring 123,42x3,53 N70	NBR 70
12	1	Mechanical Shaft Seal Ø32	
13	2	Set-screw DIN916 - M8x10 A4	A4
14	1	Latch Pin Ø5	AISI 316
15	1	Electromotor 1,1kW (3x230/400V-50Hz - 3x440/690V-60Hz)	

Målestokk: 1:2

Format: A2

PUMPEFIRMA
mapexas

Produkt: Mapex SMP101 Centrifugal Pump Assembly

Material: AISI 316

Ant.: Side: 2/2

Artikkel nr.: Vekt: Quality:

Fill nr.: Mapex-10056-A SMP101 Centrifugal Pump

Tegningsnr.: Mapex-10056

Rev: A