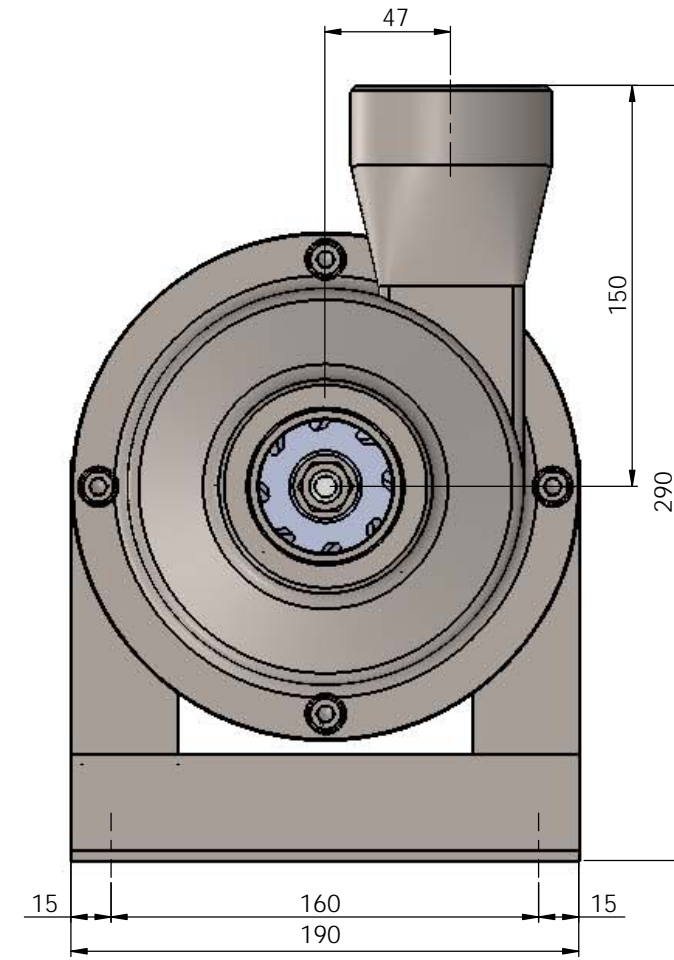
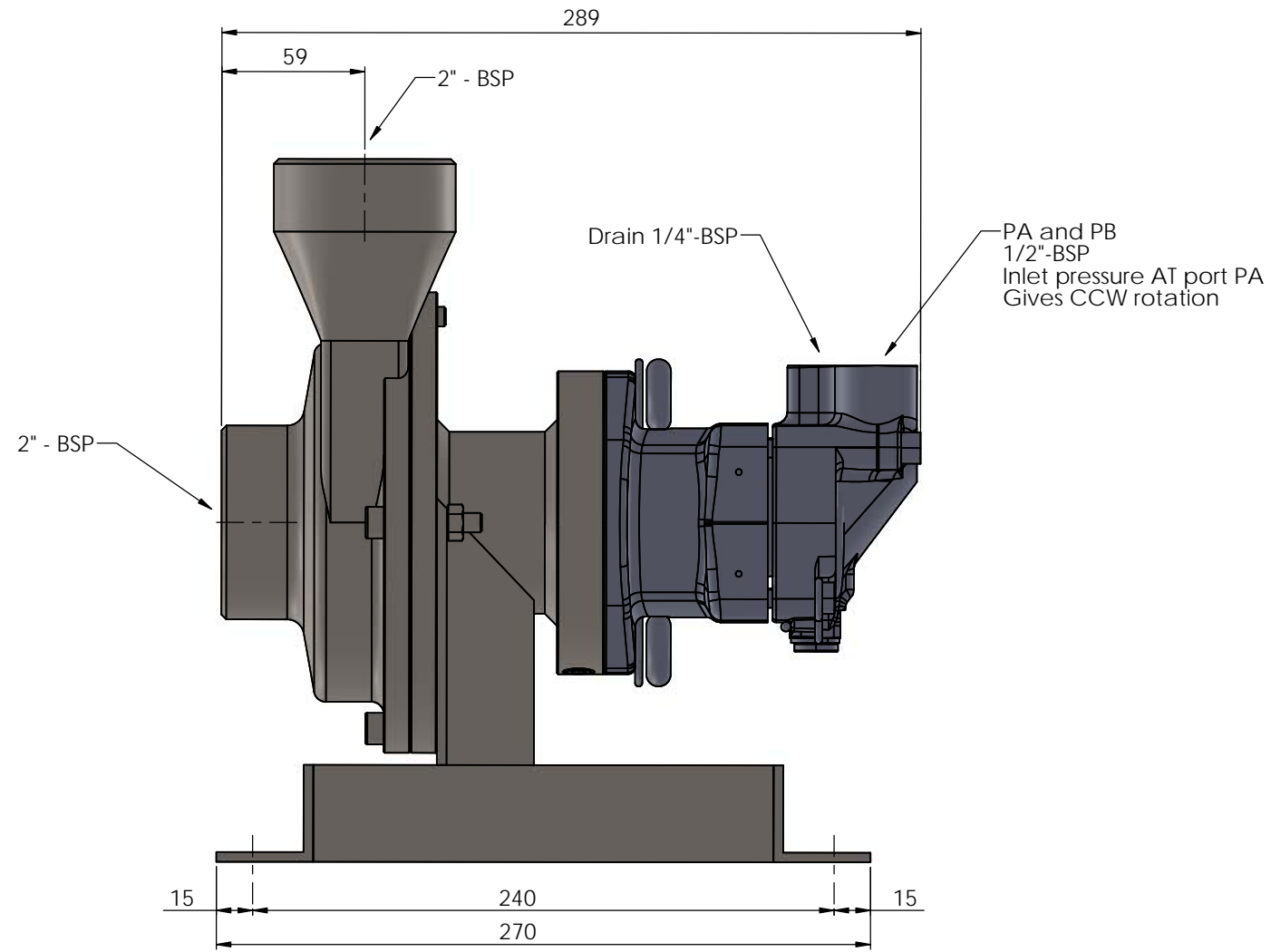


"This drawing is the property of Mapex AS and may not without the owners consent be utilized, copied, reproduced, transmitted or communicated to a third party."

REVISIONS				
REV.	DATE	DESCRIPTION	DRAWN BY	APPROVED
A	27.03.2017	For production	AKH	JSM

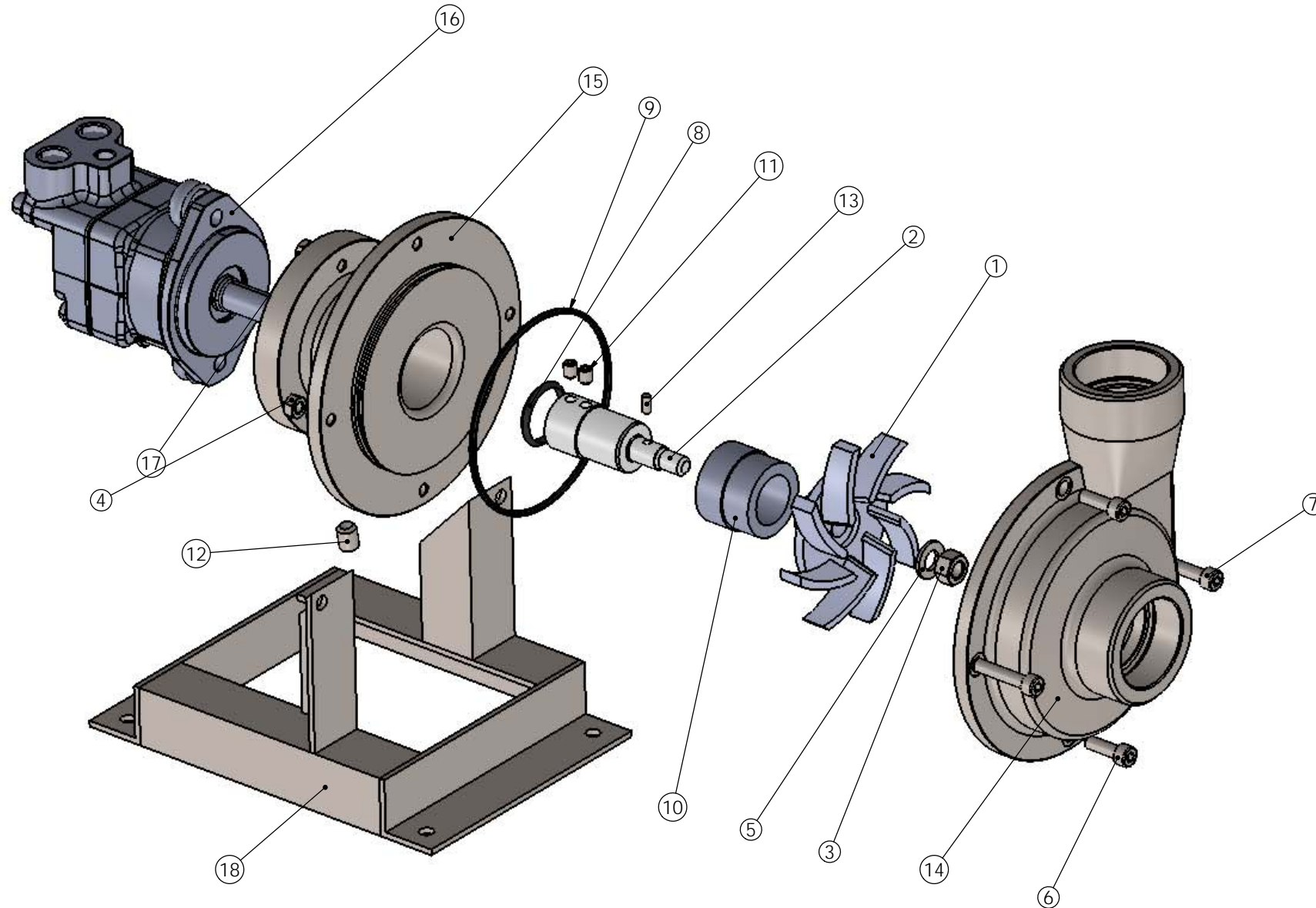


Assembly & interface

Scale: 1:2					
Format: A2					
Product: Mapex SMP104H Centrifugal Pump Assembly			File no.: Mapex-10059-A SMP104H Centrifugal Pump	Rev: A	
			Drawing no.: Mapex-10059		
Material: AISI 316	Number:	Page: 1/2	Article no.:	Veight:	Quality:

"This drawing is the property of Mapex AS and may not without the owners consent be utilized, copied, reproduced, transmitted or communicated to a third party."

REVISIONS				
REV.	DATE	DESCRIPTION	DRAWN BY	APPROVED
A	27.03.2017	For production	AKH	JSM



Exploded view & component list

ITEM NO.	QTY.	PART NUMBER	DESCRIPTION
1	1	Mapex-10047-A Impeller SMP104_SMP104H	AISI 316
2	1	Mapex-10061-A Pump Shaft SMP103H_SMP104H	AISI 316
3	1	Lock-nut DIN985 M12 A4	A4
4	2	Nut DIN985 M8 A4	A4
5	1	Washer DIN125 M12 A4	A4
6	2	Bolt DIN912 M8x25 A4	A4
7	2	Bolt DIN912 M8x40 A4	A4
8	1	VS 32 ring, splash guard	Rubber
9	1	O-ring 123,42x3,53 N70	NBR 70
10	1	Mechanical Shaft Seal Ø32	
11	2	Set-screw DIN916 - M8x10 A4	A4
12	1	Plug / drain 1/4"_BSP A4 (optional)	A4
13	1	Latch Pin Ø5	AISI 316
14	1	Mapex-10046-A Pump House SMP104_SMP104H	AISI 316
15	1	Mapex-10060-A Intermediate Adapter SMP103H_104H	AISI 316
16	1	Hydraulic Motor SMP103H_104H	
17	2	Bolt DIN933 M8x25 A4	A4
18	1	Mapex-10062-A Frame Mount for SMP103H_104H	AISI 316

Målestokk: 1:2

Format: A2

PUMPEFIRMA
mapexas

Produkt: Mapex SMP104H Centrifugal Pump Assembly

Material: AISI 316

Ant.: Side: 2/2

Artikkel nr.: Vekt: Quality:

Fill nr.: Mapex-10059-A SMP104H Centrifugal Pump

Tegingsnr.: Mapex-10059

Rev: A